

Test Code Sheet Number	1	1	1	1	20
---------------------------------------	----------	----------	----------	----------	-----------

WRAS TEST & ACCEPTANCE CRITERIA

Issue No: 1
Date of issue: July 2000

Sheet 1 of 2

TEST CODE SHEET

1. TYPE OF TEST(S)

Pressure tightness under a low reverse pressure differential.

2. WATER REGULATIONS REQUIREMENTS FOR FITTINGSSchedule 2

15-(1) every water system shall contain an adequate device or devices for preventing backflow of fluid from any appliance, fitting or process from occurring.

3. BRITISH STANDARDS OR WATER SPECIFICATION, DEEMED TO SATISFY WATER REGULATIONS REQUIREMENTS

3.1 Fittings with 'kitemarks' which are deemed to satisfy the requirements of regulations are listed in the directory.

4. TEST PROCEDURENote Unless otherwise stated the temperature of the test fluid shall be $20 \pm 10^{\circ}\text{C}$.

4.1 Tests applicable to the following:-

HOSE UNION BACKFLOW PREVENTER HA

DN15 to DN32.

Devices for the prevention of contamination by backflow.

(A) HOSE UNION BACKFLOW PREVENTER HA

(Derived from prEN W 1 108. Clause 7.6 and AS/NZS 2845-1 Clause Q)

DN15 to DN32.

APPARATUS The following apparatus is required.

A supply of water to achieve the test flow rates. (Reference Figure 03).

Flow meter.

Sight glass.

The example of the test equipment shown in Figure 03 is for guidance only.

Laboratory equipment must be designed to ensure that the valve can be tested to verify the requirement.

PROCEDURE The procedure shall be as follows:-**NOTE:** The air ports must be sealed for this test.

- (1) Mount the device in the test system in its normal working position. (Reference Figure 03).
- (2) Close all the valves.
- (3) Open valves '3', '4', '6', '7' and '8'.
- (4) Open valve '1', fill pipe '12' and branch circuits '10' and '13'. Purge the air by means of valve '7' and pipes '14' and '11'. Close valve '7' when the air has been removed from the circuit.
- (5) Slowly close valve '1' so as to keep a meniscus at the top of the pipe '11'.

Test Code					
Sheet	1	1	1	1	20
Number					

Issue No: 1
Date of issue: July 2000

Sheet 2 of 2

- (6) Close valve '4'.
- (7) On tube (14), mark the height of the water (a) which should be at the same level as in the pipe '11'.
- (8) Open valve '2' slightly and lower the water level in the pipe '14' to level (b), 30 ± 2 mm below the level (a). During this operation, close valve '2' very slowly.
- (9) Allow the check valve to settle, then refill meniscus by means of valve '15'.
- (10) Observe the meniscus for 5 minutes.

5. ACCEPTANCE CRITERIA

No leak shall be observed during the 5 minutes. This is verified by the maintenance of a stable convex meniscus.

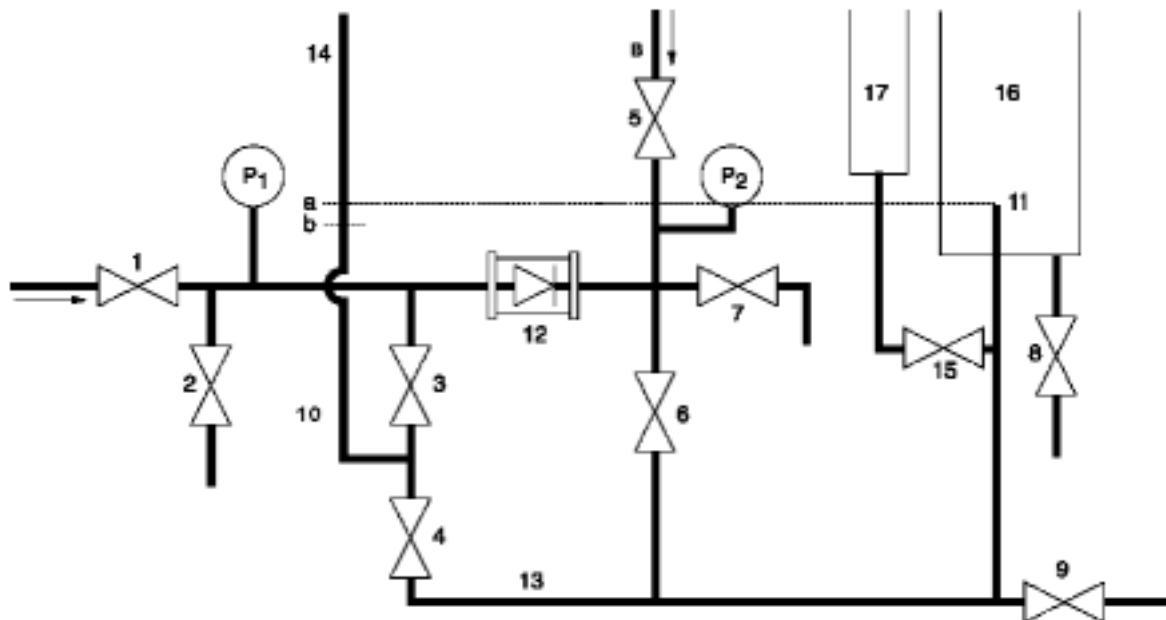


FIG 03